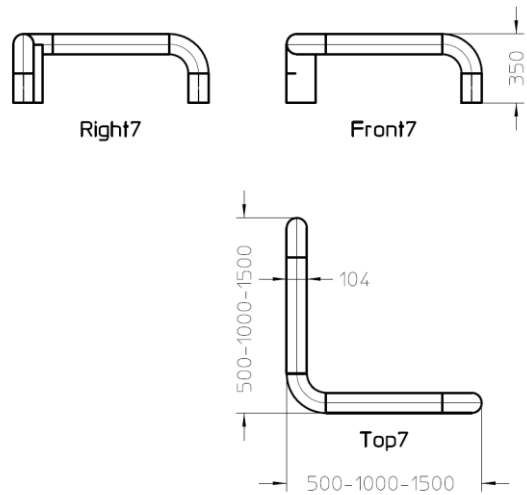


## Crash protection corner – rounded ends – for concreting

As manufacturer we can offer you the following :



<ul style="list-style-type: none"> <li>• Crash protection corner – rounded ends</li> <li>• For concreting</li> <li>• Stainless steel 304/316</li> <li>• polished</li> <li>• Total height: 350 mm</li> <li>• Length: 500–1000-1500 mm</li> <li>• Tube : Ø 104x2 mm</li> <li>• <b>Seamless finishing</b></li> <li>• <b>Filled with concrete</b></li> </ul>	<b>Code</b>					<b>weight</b>
	SH-AU-BT-104x2-350x <b>500</b> x350- rvs <b>304</b> -beton					37 kg
	SH-AU-BT-104x2-350x <b>500</b> x350- rvs <b>316</b> -beton					37 kg
	SH-AU-BT-104x2-350x <b>1000</b> x350- rvs <b>304</b> -beton					62 kg
	SH-AU-BT-104x2-350x <b>1000</b> x350- rvs <b>316</b> -beton					62 kg
	SH-AU-BT-104x2-350x <b>1500</b> x350- rvs <b>304</b> -beton					87 kg
	SH-AU-BT-104x2-350x <b>1500</b> x350- rvs <b>316</b> -beton					87 kg

These are the most ordered dimensions. Other dimensions are also possible.

For orders and price requests you can email us: [info@axra.be](mailto:info@axra.be)

