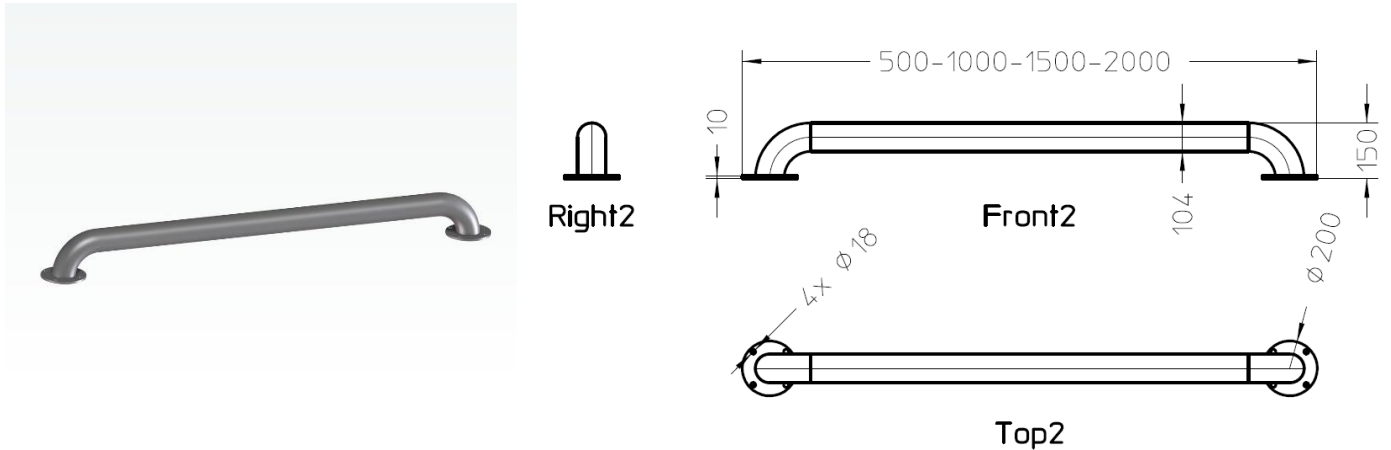


Crash rail – rounded ends – base plate

As manufacturer we can offer you the following :



| | | | | | | |
|---|---|--|--|--|--|---------------|
| <ul style="list-style-type: none"> • Crash protection bar – rounded ends • With base plate \varnothing 200 mm thickness 10 mm 4 holes \varnothing 18 mm • Stainless steel 304/316 • polished • Total height: 150 mm • Length: 500–1000–1500–2000 mm • Tube : \varnothing 104x2 mm • Seamless finishing • Filled with concrete | Code | | | | | weight |
| | SB-AU-VF-104x2-150x 500 x150- rvs 304 -beton | | | | | 20 kg |
| | SB-AU-VF-104x2-150x 500 x150- rvs 316 -beton | | | | | 20 kg |
| | SB-AU-VF-104x2-150x 1000 x150- rvs 304 -beton | | | | | 32 kg |
| | SB-AU-VF-104x2-150x 1000 x150- rvs 316 -beton | | | | | 32 kg |
| | SB-AU-VF-104x2-150x 1500 x150- rvs 304 -beton | | | | | 45 kg |
| | SB-AU-VF-104x2-150x 1500 x150- rvs 316 -beton | | | | | 45 kg |
| | SB-AU-VF-104x2-150x 2000 x150- rvs 304 -beton | | | | | 57 kg |
| | SB-AU-VF-104x2-150x 2000 x150- rvs 316 -beton | | | | | 57 kg |

These are the most ordered dimensions. Other dimensions are also possible.

For orders and price requests you can email us on: info@axra.be

