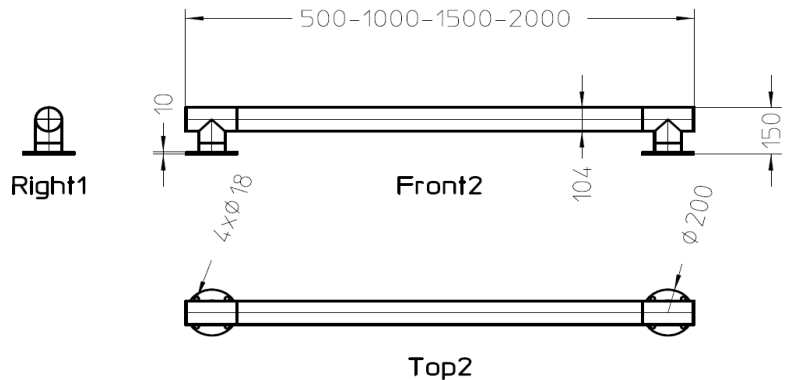


## Crash rails – straight ends – base plate

As manufacturer we can offer you the following:



<ul style="list-style-type: none"> <li>• Crash protection bar – straight ends</li> <li>• With base plate <math>\varnothing</math> 200 mm thickness 10 mm 4 holes <math>\varnothing</math> 18 mm</li> <li>• Stainless steel 304/316</li> <li>• polished</li> <li>• Total height: 150 mm</li> <li>• Length: 500–1000–1500-2000 mm</li> <li>• Tube : <math>\varnothing</math> 104x2 mm</li> <li>• <b>Seamless finishing</b></li> <li>• <b>Filled with concrete</b></li> </ul>	<b>code</b>					<b>weight</b>
	SB-RU-VF-104x2-150x <b>500</b> x150- rvs <b>304</b> -beton					20 kg
	SB-RU-VF-104x2-150x <b>500</b> x150- rvs <b>316</b> -beton					20 kg
	SB-RU-VF-104x2-150x <b>1000</b> x150- rvs <b>304</b> -beton					32 kg
	SB-RU-VF-104x2-150x <b>1000</b> x150- rvs <b>316</b> -beton					32 kg
	SB-RU-VF-104x2-150x <b>1500</b> x150- rvs <b>304</b> -beton					45 kg
	SB-RU-VF-104x2-150x <b>1500</b> x150- rvs <b>316</b> -beton					45 kg
	SB-RU-VF-104x2-150x <b>2000</b> x150- rvs <b>304</b> -beton					57 kg
	SB-RU-VF-104x2-150x <b>2000</b> x150- rvs <b>316</b> -beton					57 kg

These are the most ordered sizes. Other dimensions are also possible.

For orders and price requests you can email us on : [info@axra.be](mailto:info@axra.be)

