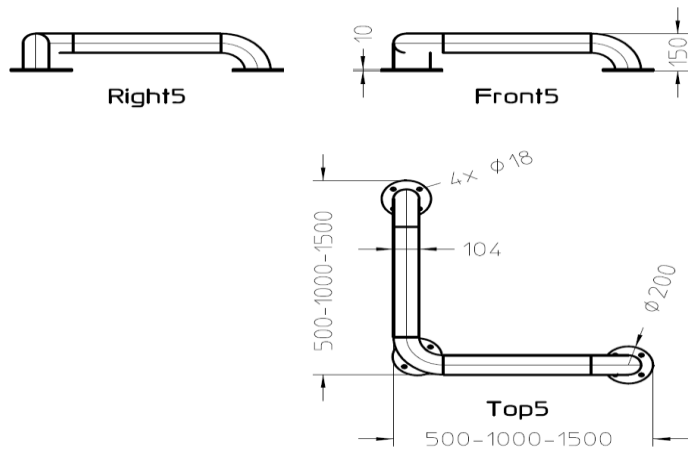


Crash protection corner – rounded ends – base plate

As manufacturer we can offer you the following:



<ul style="list-style-type: none"> • Crash protection corner : rounded ends • With base plate \varnothing 200 mm thickness 10 mm 4 holes \varnothing 18 mm • Stainless steel 304/316 • polished • Total height: 150 mm • Length: 500–1000–1500 mm • Tube : \varnothing 104x2 mm • Seamless finishing • Filled with concrete 	Code					weight
	SH-AU-VF-104x2-150x 500 x150- rvs 304 -beton					40 kg
	SH-AU-VF-104x2-150x 500 x150- rvs 316 -beton					40 kg
	SH-AU-VF-104x2-150x 1000 x150- rvs 304 -beton					65 kg
	SH-AU-VF-104x2-150x 1000 x150- rvs 316 -beton					65 kg
	SH-AU-VF-104x2-150x 1500 x150- rvs 304 -beton					90 kg
	SH-AU-VF-104x2-150x 1500 x150- rvs 316 -beton					90 kg

These are the most ordered dimensions. Other dimensions are also possible.

For orders and price requests you can email us : info@axra.be

